

**Product selected: SHP-TS 600W**

A range of tubular and elliptical high-pressure sodium lamps offering the unique combination of good colour appearance and very high efficacy, higher luminous flux and considerably longer life compared to standard types.

**Applications**

- Residential street lighting
- Hi-mast multi-level junction lighting
- Safety/security/amenity floodlighting
- Motorway and major road lighting
- Hi-bay industrial lighting
- Plant growing

**Features**

- A pleasant, warm, golden colour light
- High efficacy: up to 150 lm/W
- Colour temperature: 2050 K
- Envelope shape/finish: tubular clear/elliptical coated
- Average rated life: up to 30000 hours

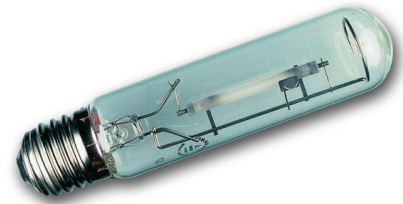
**Directions for use**

- Burning position: universal
- Can be operated on ignitors in accordance with IEC 60927
- Open fixture rating

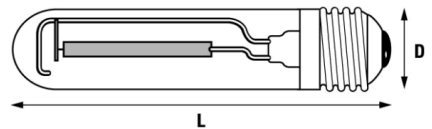
**Product Attributes**

Item description	SHP-TS 600W
Ordering Code	0020805
EAN code	5410288208053
Packing Quantity	12
Wattage (W)	600
Voltage (V)	110
Cap	E40
Max. Over. Length (mm)	292
Diameter (mm)	48
Light output (lm)	90000
Current (A)	6.00
Colour Temp (K)	2050

**Product Image**



**Line Drawing**

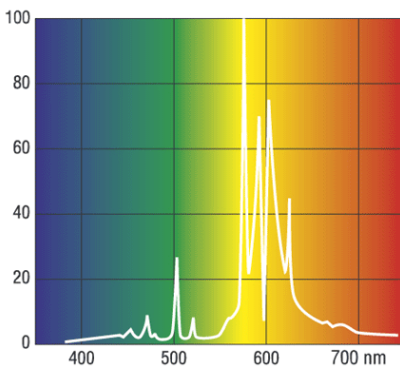


**Fixture Rating**



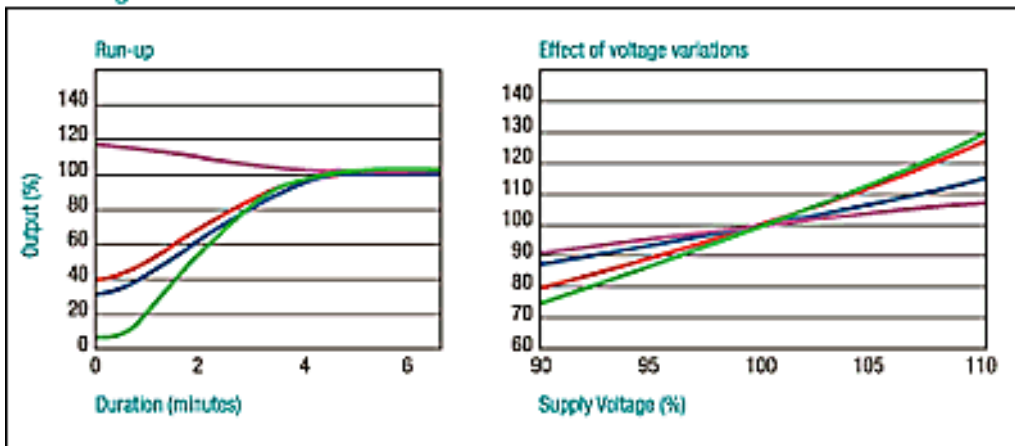
**Burning Position**

**Spectral Diagram**



## Run-up Characteristics

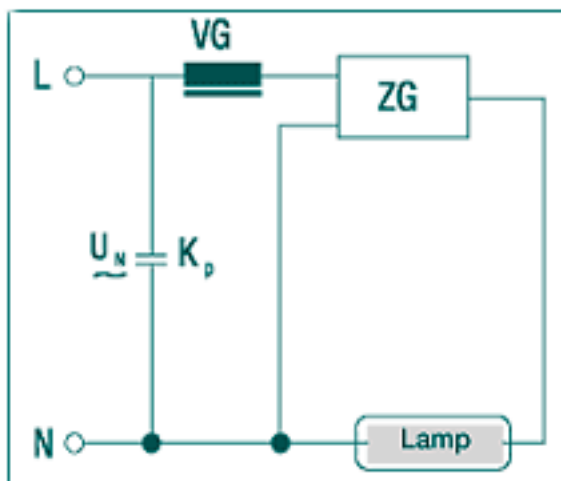
### High Pressure Sodium



Re-start time when hot  
 Twinarc, SBY: Immediate re-start  
 Standard, Super & MF: up to 1 minute

■ Lamp Voltage  
 ■ Lamp Current  
 ■ Lamp Power  
 ■ Luminous Flux

## Circuit Diagram



L Live conductor L<sub>1</sub>, L<sub>2</sub>, L<sub>3</sub>  
 N Neutral conductor  
 U<sub>N</sub> power supply voltage 230V~  
 (400V~ for HSI-T 2000V)  
 VG ballast  
 K<sub>p</sub> lead capacitor  
 ZG start-up system  
 K<sub>2</sub> start-up capacitor  
 ST stray field transformer  
 CWA constant wattage autotransformer